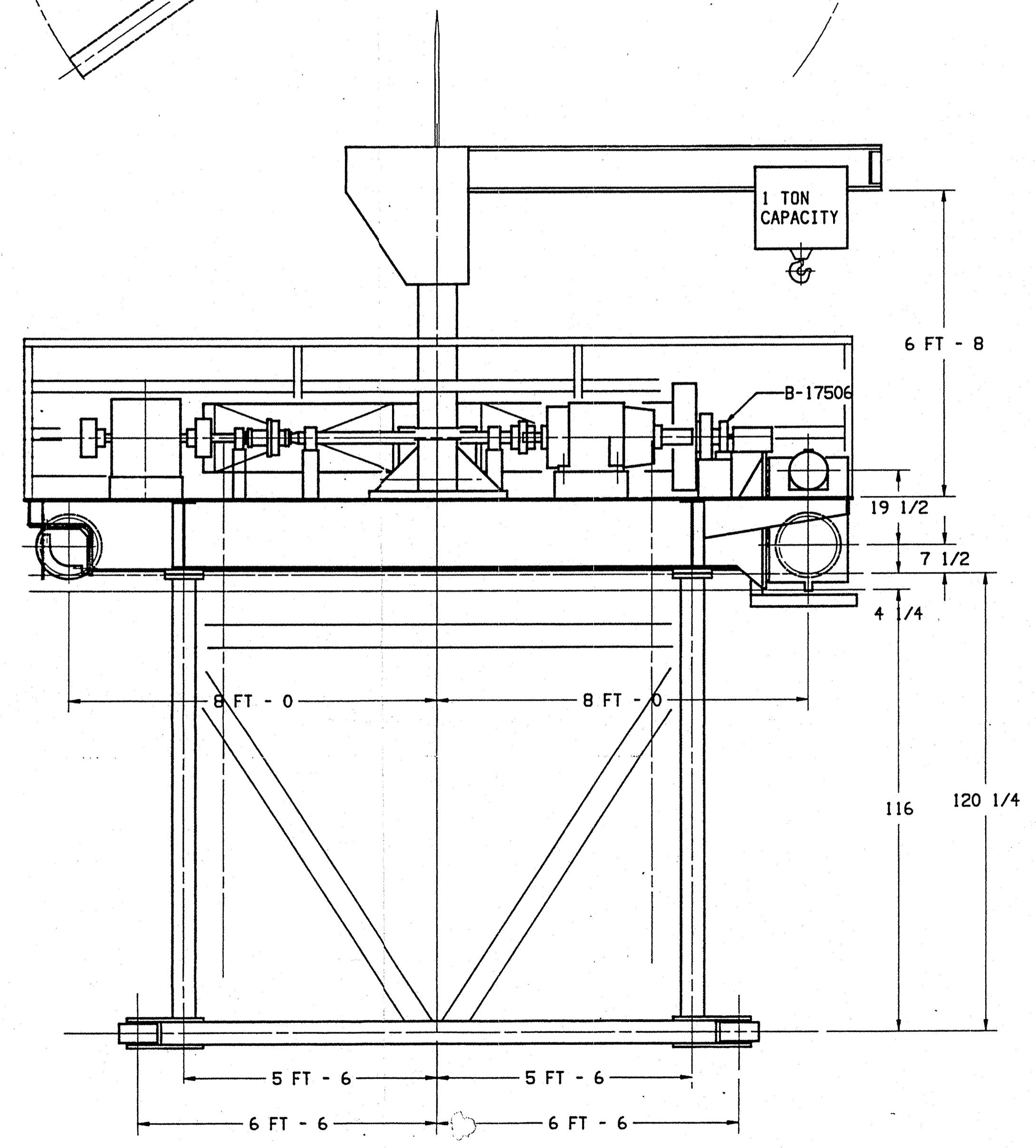
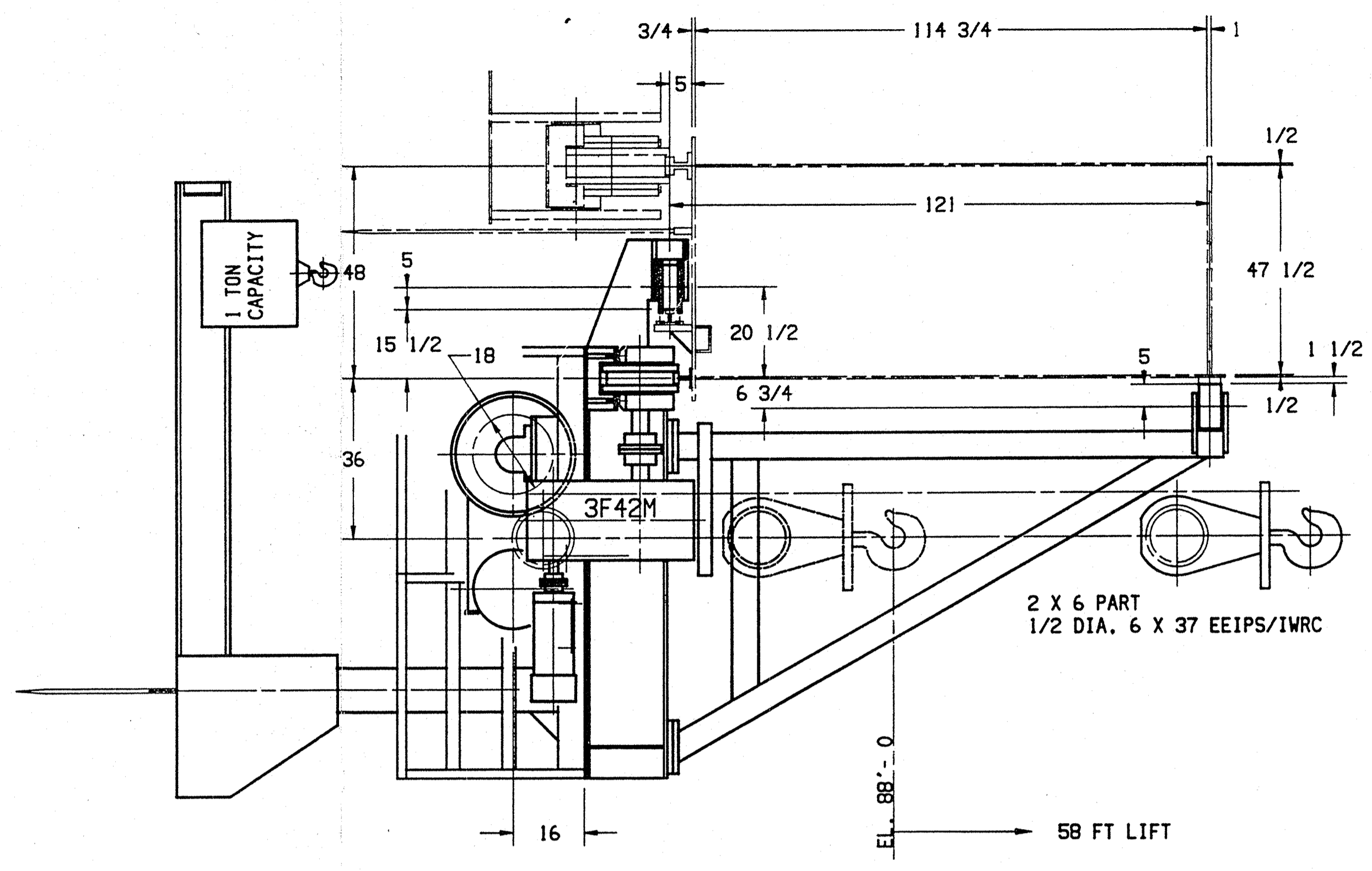
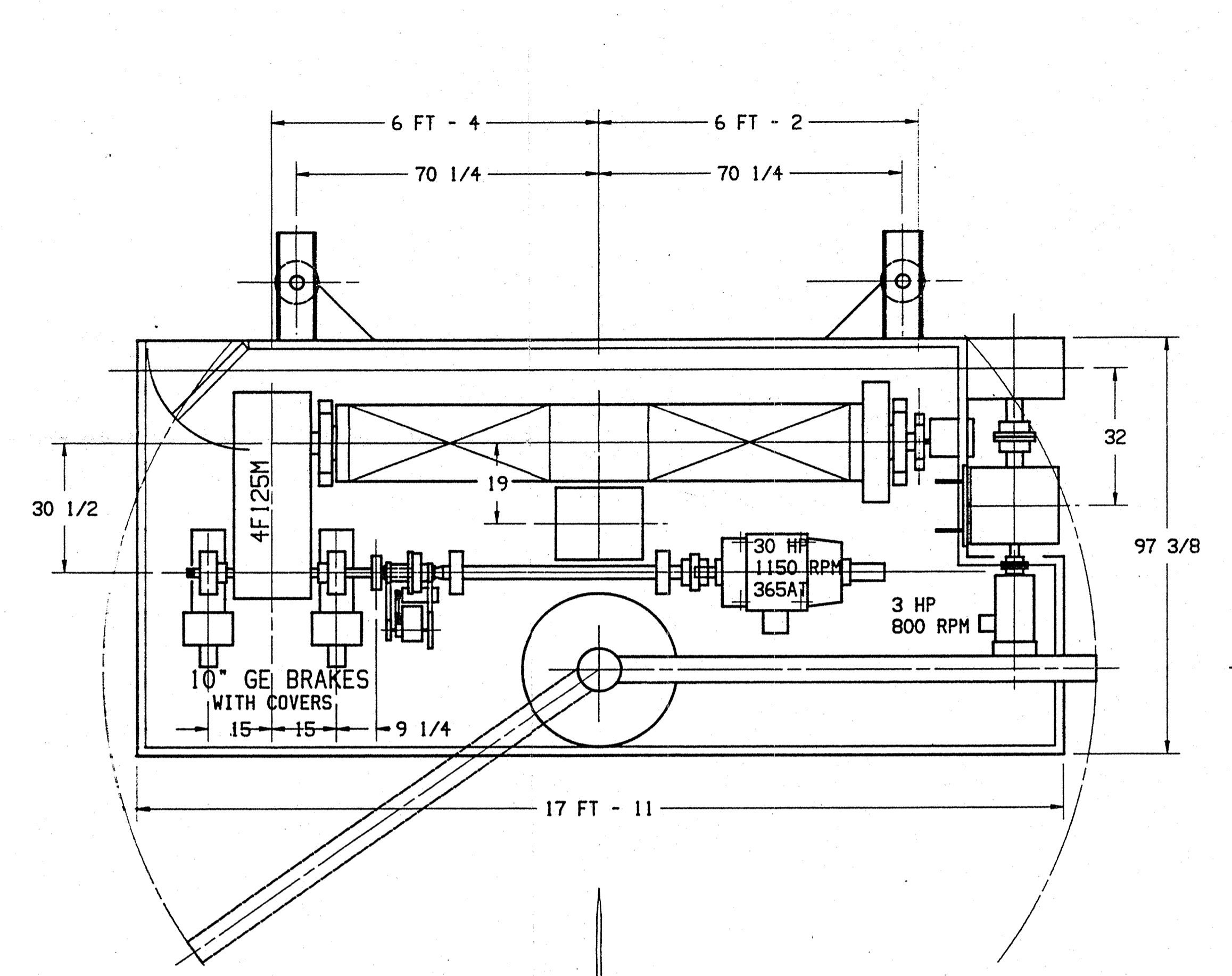
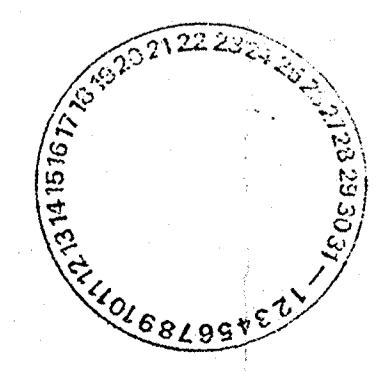


REVISIONS							
LTR	DESCRIPTION	DATE	BY	CHK	ENR	APPD	APPD



PRELIMINARY



ITEM NO.	DESCRIPTION	QTY	MATERIAL	WEIGHT
LIST OF MATERIALS				
ITEMS WITH SPECIAL QUALITY REQUIREMENTS		18.1	SCALE 1/2" = 1'-0"	TOTAL WT. LBS.
ADVANCE ORDERED ITEMS	COST ITEM NO.			
DRAWN A. THOMAS	1/20/92			
CHECK				
ENG				
APPD				
APPD				
MACHINING	FRACTIONAL	+/- 1/64		
TOLERANCES	DECIMAL	+/- .010		
DR AS NOTED	ANGLE	+/- 1 DEG.		
FIRST USED ON	F-2319			

EDERER
INCORPORATED
WASHINGTON STAR
CRANES CRANES CRANES

AUXILIARY TROLLEY ASSEMBLY
30 TON CAPACITY

A-14965

REV. DWG. NO.