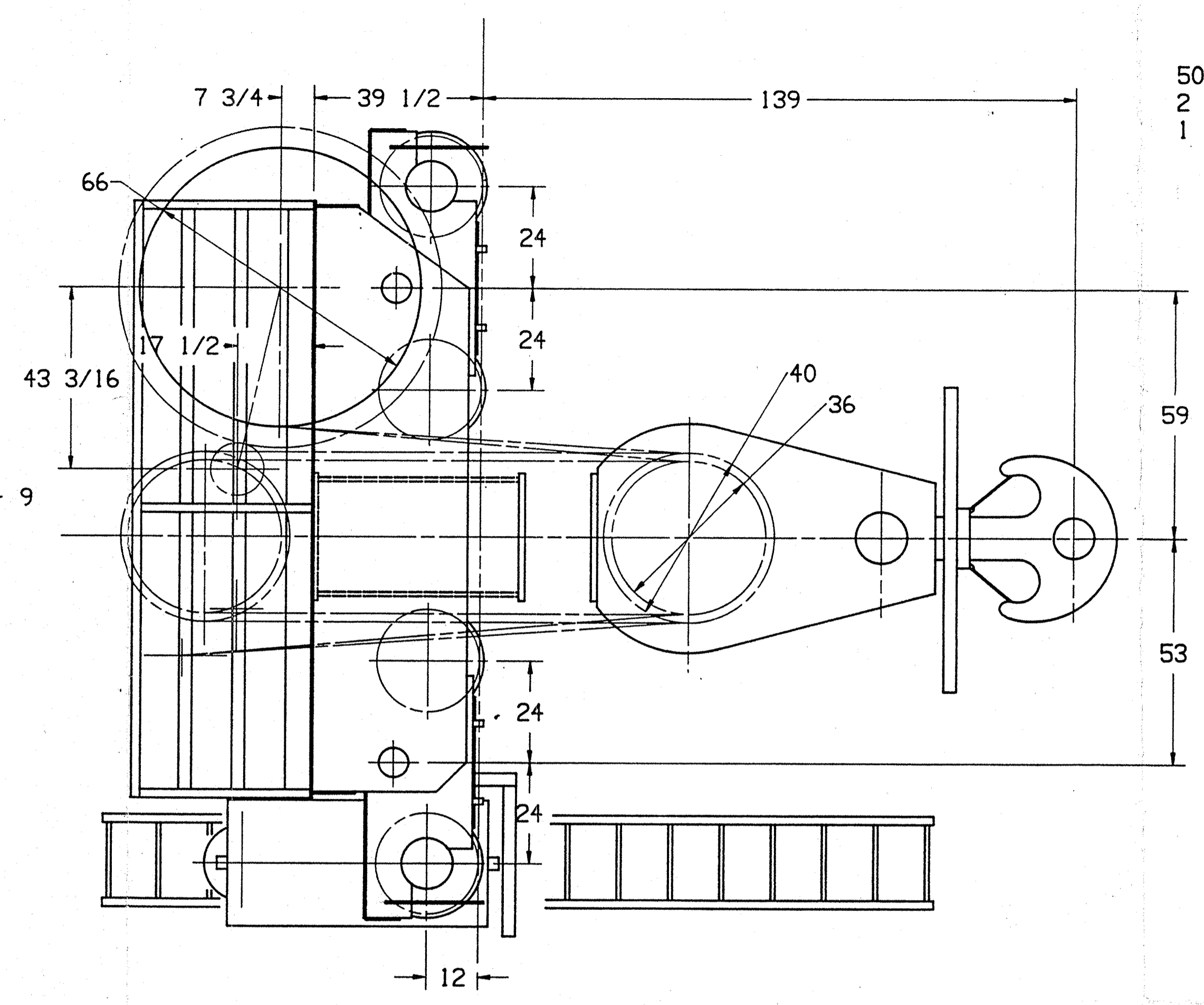
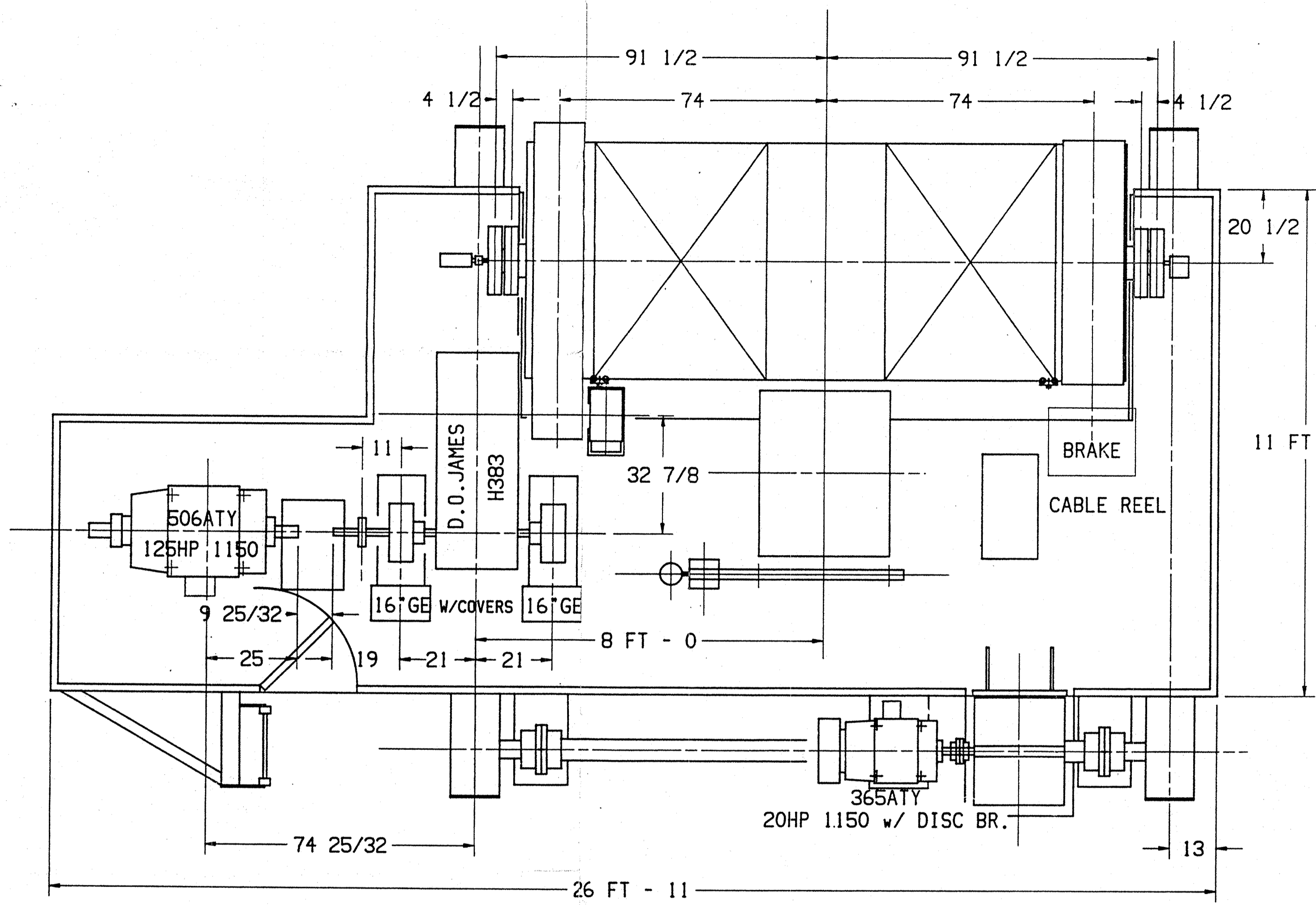
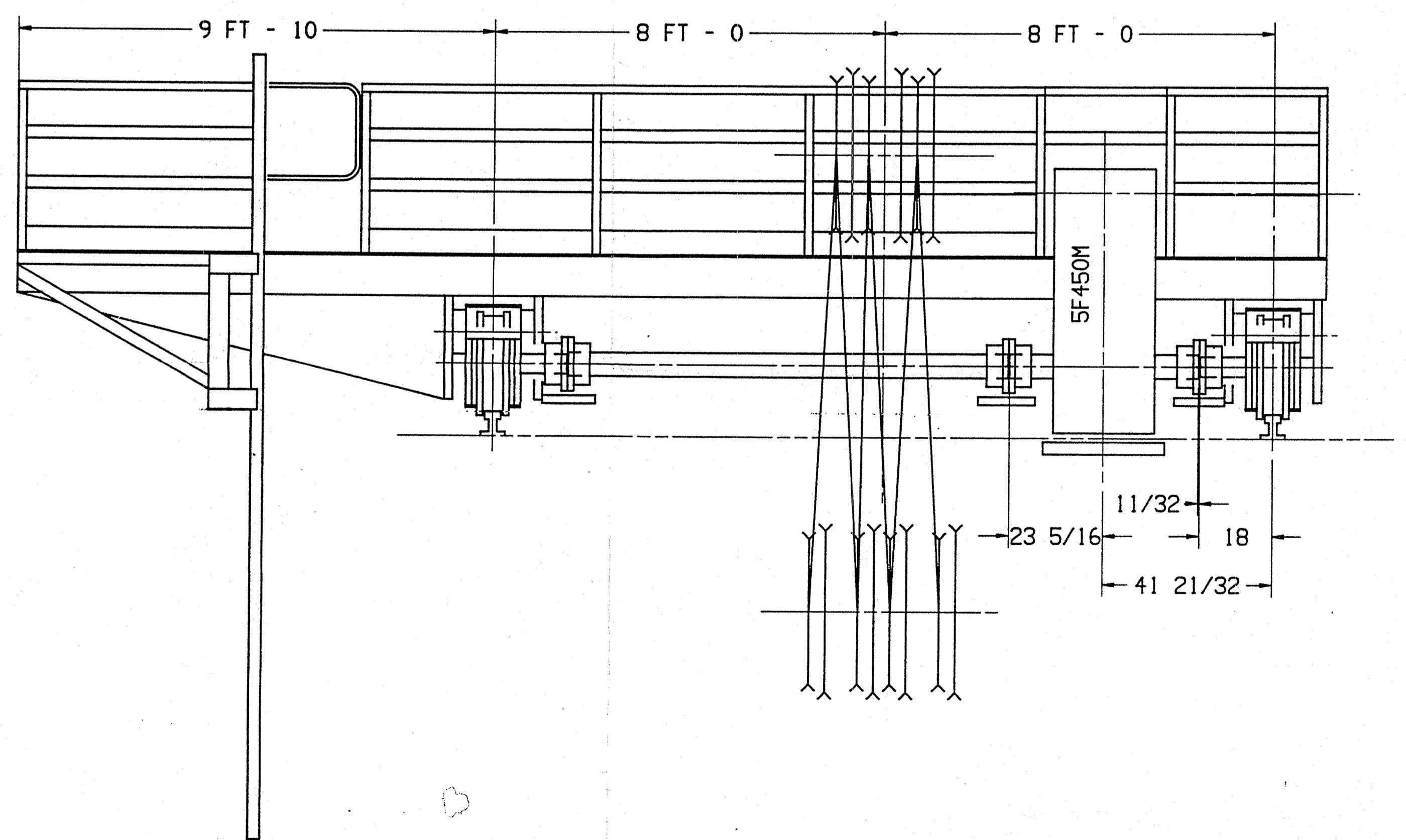


REVISIONS							
LTR.	DESCRIPTION	DATE	BY	CHK	ENG	APPD	APPD



50 FT LIFT  
2 X 8 PARTS  
1 1/2 DIA. 6 X 37 EEIPS/IWRC



PRELIMINARY



ITEM NO.	DESCRIPTION	QTY	MATERIAL	WEIGHT
LIST OF MATERIALS				
ITEMS WITH SPECIAL QUALITY REQUIREMENTS	18.1	SCALE 1/2" = 1' - 0"	TOTAL WT.	LBS.
ADVANCE ORDERED ITEMS	COST ITEM NO.			
DRAWN	A. THOMAS	1/17/92		
CHECK				
ENG				
APPD	MAIN TROLLEY ASSEMBLY			
APPD	300 TON CAPACITY			
MACHINING TOLERANCES OR AS NOTED	FRACTIONAL DECIMAL ANGLE	± 1/6 ± .010 ± 1 DEG.		
FIRST USED ON	F-2319	A-14964		
Dwg. No.				REV